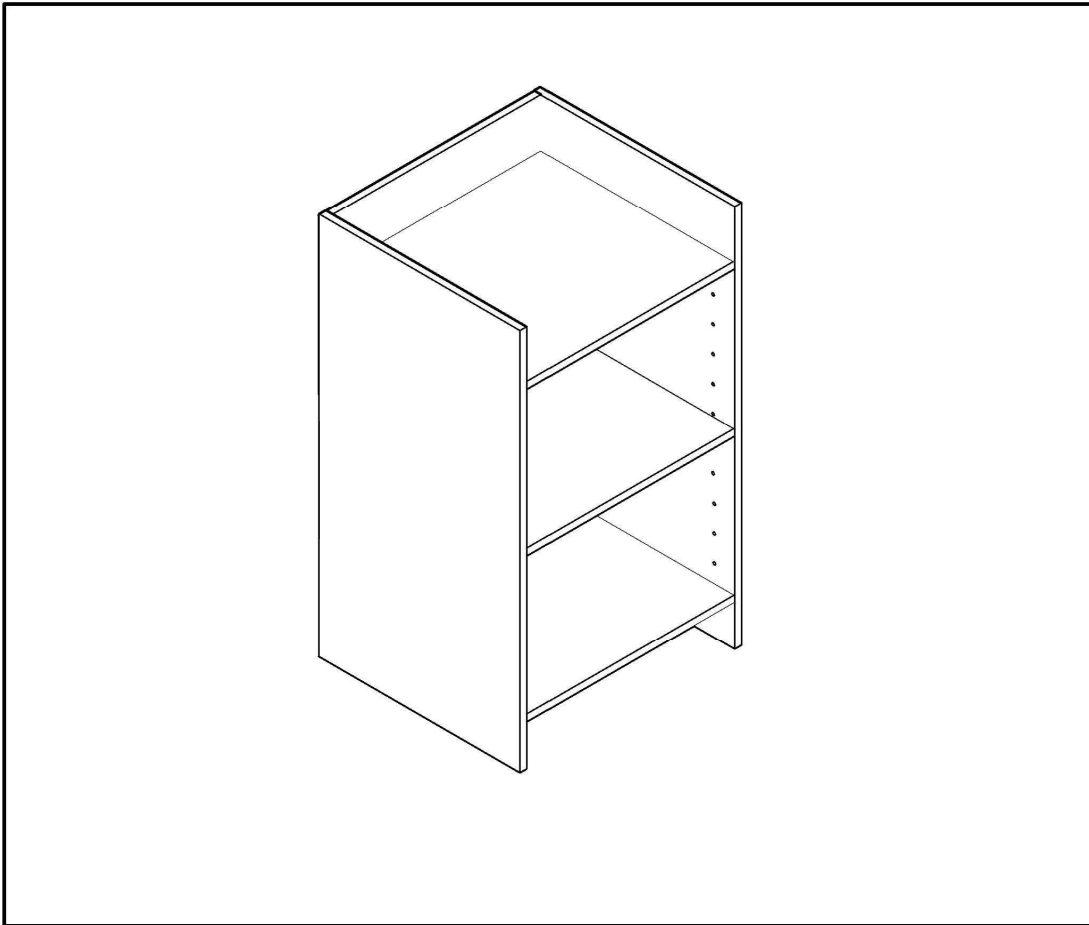


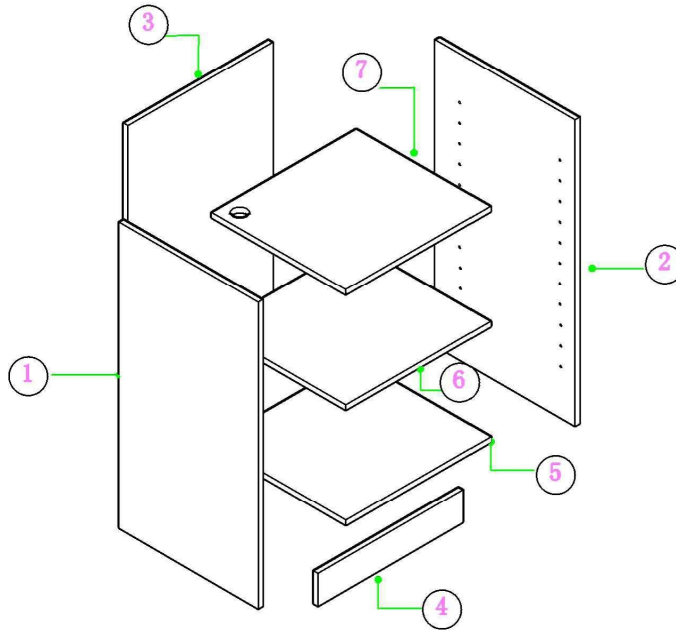
ASSEMBLY INSTRUCTIONS MANUAL

CASH REGISTER TIMBER COUNTER

SW703 550mm (D) × 500mm (W) × 950mm (H)



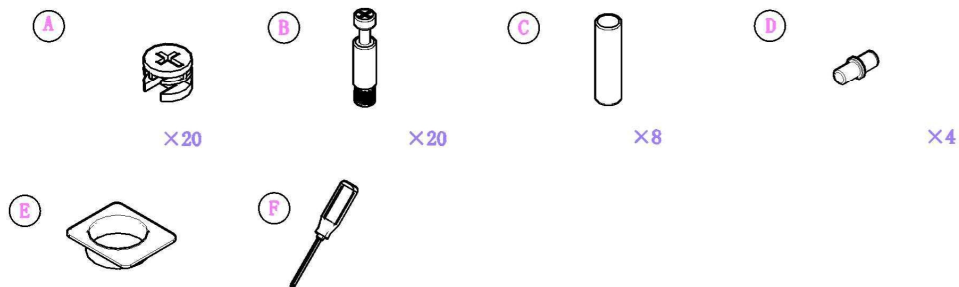
IDENTIFY PARTS:



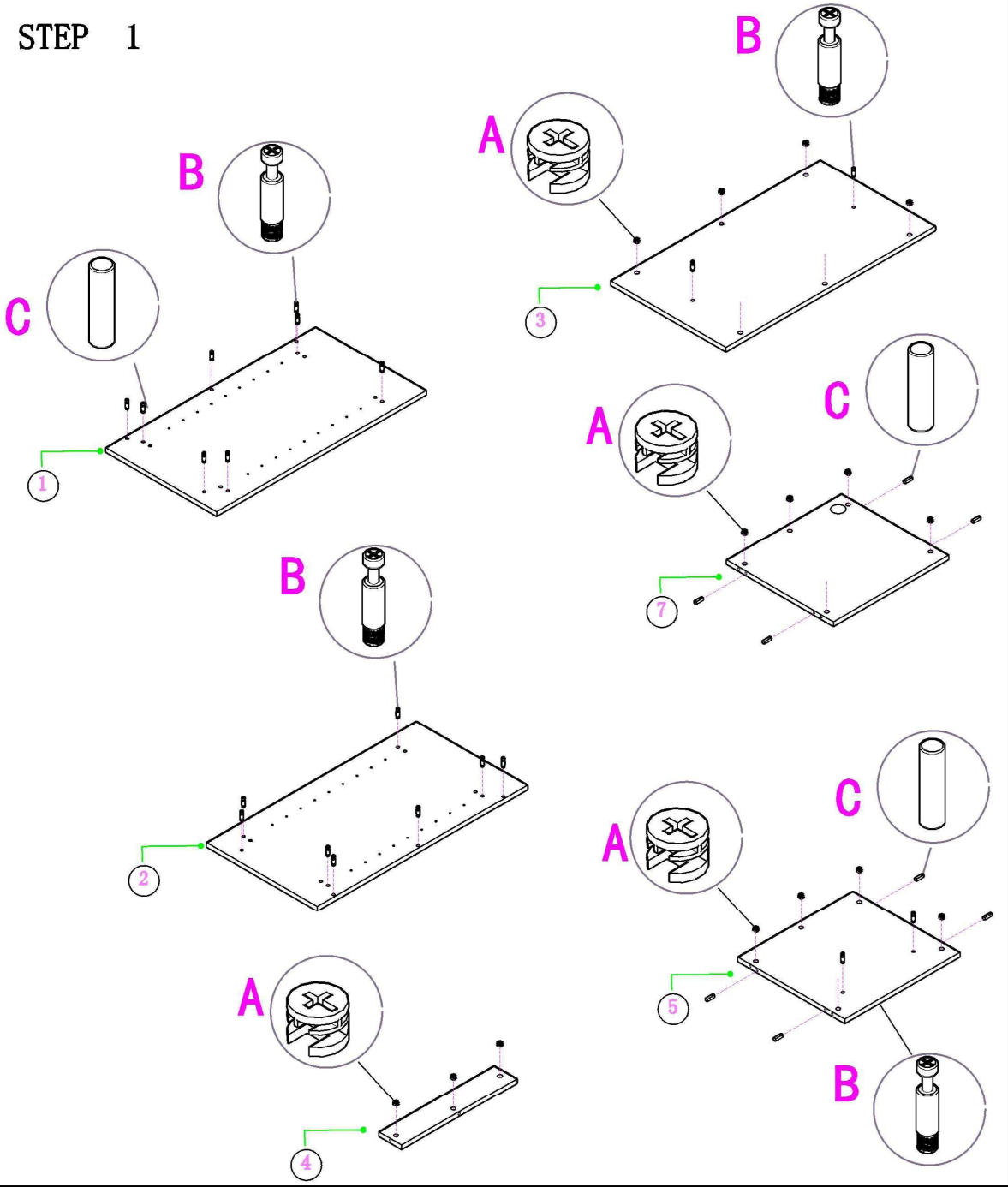
Please check below measurement sizes to identify parts:

Item	Size	Qty
1	950*500*15	1
2	950*500*15	1
3	949*520*15	1
4	520*100*15	1
5	520*483*15	1
6	518*480*15	1
7	520*483*15	1

HARDWARE CONTENTS:



STEP 1



STEP 2

